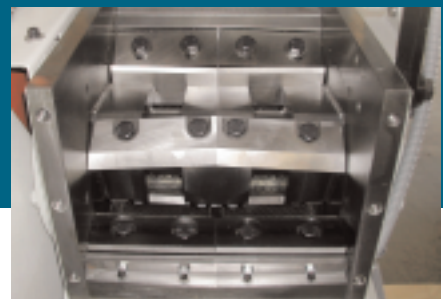




Film & Sheet Grinders

Cutting chamber is easily accessed from top, front, back, and bottom. Screens are available in a variety of sizes, materials, and they are quickly removed for service. The one-piece rotor incorporates chevron cutting blades. Stationary front and back bed knives are each fully compensating, providing the most efficient grinding of film and sheet.



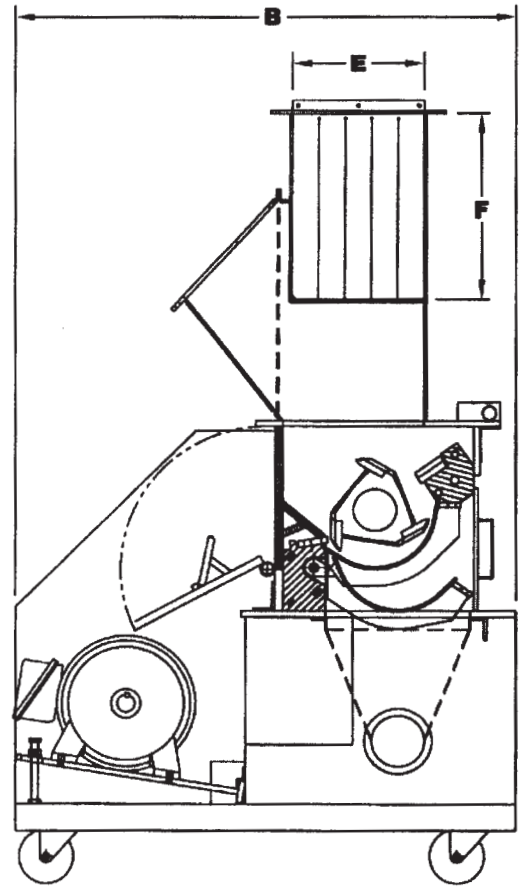
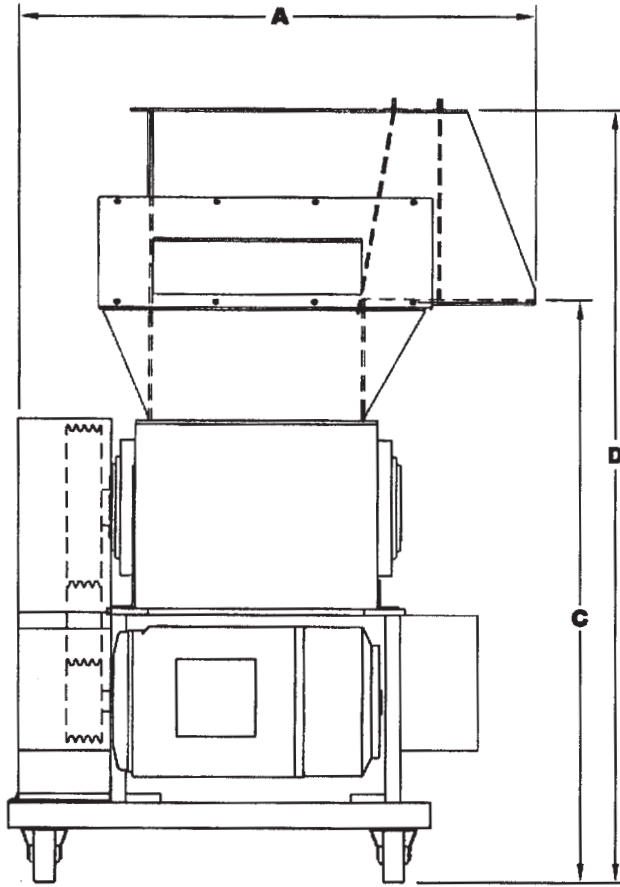
GF 1020 film grinder shown with roll feeder and provision for in-line trim.

Reduce film and sheet scrap to consistent, high bulk-density material with grinders from Osprey Corporation. For film edge trim and bleed trims, roll scrap, and loose scrap, Osprey's GF series grinder provides high efficiency size reduction in-line with the extrusion process or in off-line applications.

Standard Features:

- Chevron rotor blades with compensated bed knives.
- One-piece solid steel rotor with oversize journals for strength and long lasting durability.
- Heavy-duty bearing housings maintain rigidity and proper rotor alignment to withstand high impact stress.
- Maintenance-free bearings, protected by rotating end disks and shaft seals to prevent product contamination.
- Cutting chamber fully accessible through front and rear access plates, as well as through hopper and cradle areas.
- Bolted steel cutting chamber, blanchard ground and line bored for proper bearing alignment and accuracy.
- Choice of drilled and back bored or punched laminated screens. Designed for easy drop-down / pull-out.
- Reversible rotor blades and bed knives for extended usage. Blades machined from HC D2 steel.
- Inlet hopper with side-mounted hand feed, flanges for edge trim and roll feed inlets.
- Discharge hopper with LH or RH airveyor transition and adjustable gate assembly.

GF Grinder Specifications



Standard Mechanical Dimensions:

Model	"A"	"B"	"C"	"D"	"E"	"F"
GF0812	34.68"	32.28"	54"	65.96"	8.0"	21"
GF1014	42.5"	45.28"	54"	71.68"	11.88"	17.3"
GF1020	47.13"	45.28"	54"	71.68"	11.88"	17.3"
GF1030	58.32"	56.7"	54"	71.77"	11.88"	17.3"
GF1624	55.3"	71.26"	63"	80"	15"	17.3"
GF1636	67.3"	71.26"	63"	80"	15"	17.3"

Standard Specifications & Rates:

Model	Motor HP	Cutting Circle	Hopper Opening	Knife Length	# Knives Rotor/ Bed	*Output lb/hr-kg/hr	Weight (lbs)
GF0812	7.5	8"	8" x 12"	12"	3/2	100-45	950
GF1014	20	10"	10" x 14"	14"	3/2	200-90	1870
GF1020	30	10"	10" x 20"	20"	3/2	300-136	2420
GF1030	40	10"	10" x 30"	30"	5/2	500-227	3100
GF1624	50	16"	16" x 24"	24"	3/2	750-340	4800
GF1636	60	16"	16" x 36"	36"	3/2	1100-500	5700

Note: Specifications are subject to change.

*Grinder Outputs are for 1 – 5 mil PE films using a 3/16" grinder screen.